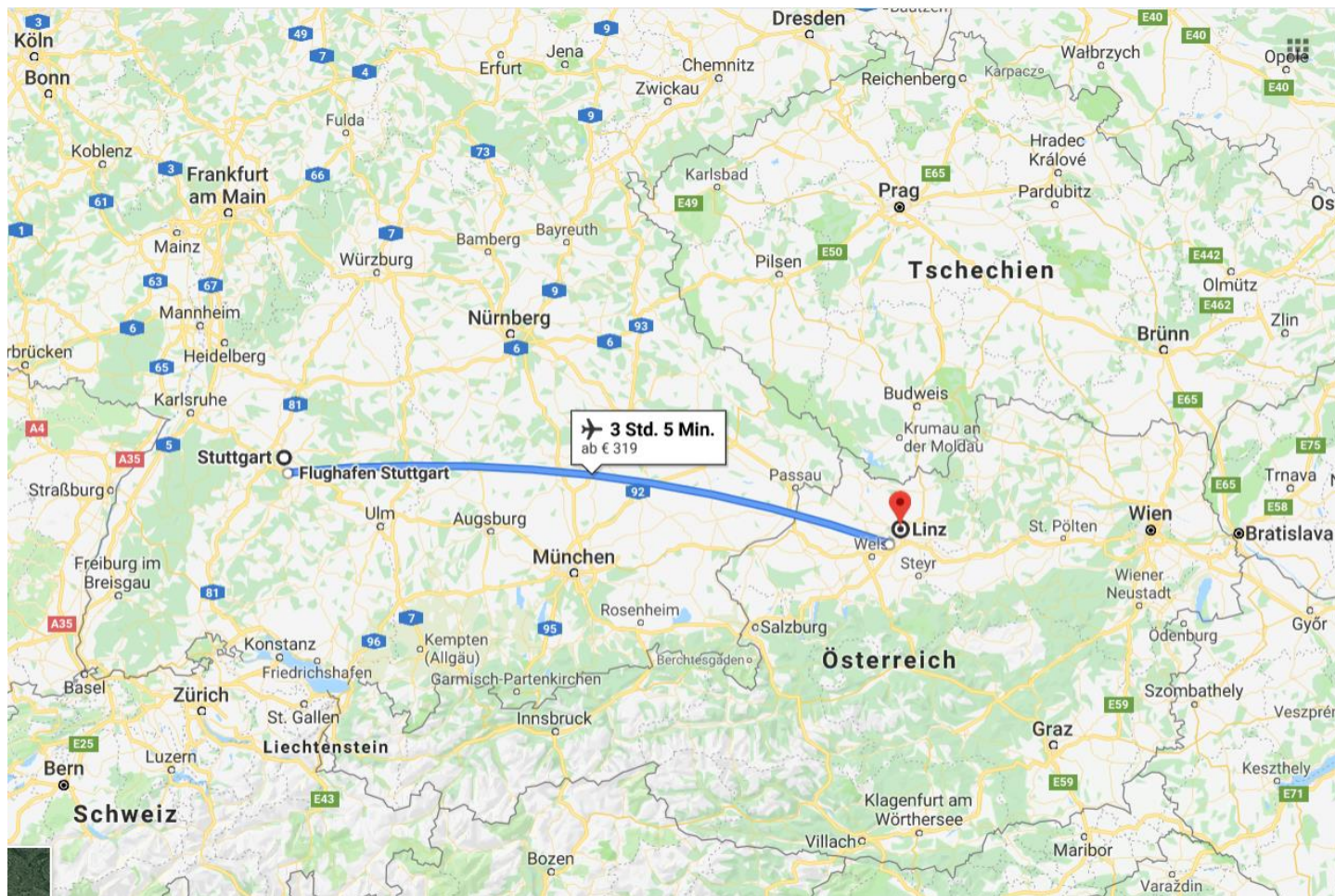




Agile Production

some examples from Austria

Customization | Prototyping | Development | Research | Science



Who is LCM?

- R & D service provider
- Transfers research results into industrial application
- One-Stop-Shop

LCM Facts

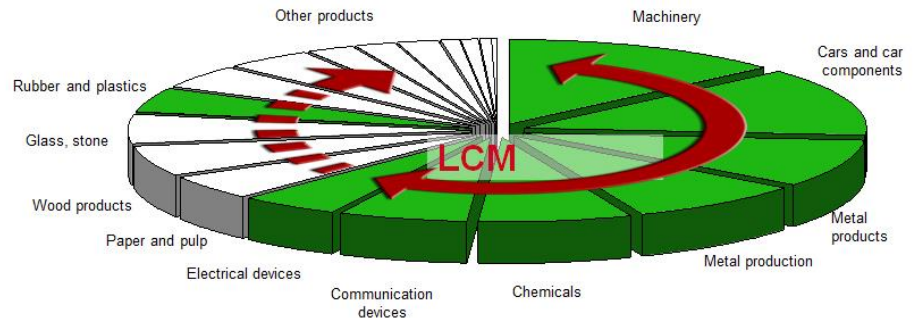
- Founded 2001
- 115 Employees
- > 250 Customer
- 4 Business Areas
- Drives | Mechanics & Control | Sensors & Communication | Emerging Technologies
- Location Linz (Austria)
- Nominated for the international technology innovation award „Hermes“/Hannover 2017 und 2012



Introduction

What offers LCM?

- R&D services
- Engineering
- Measurement services
- Technical consulting
- Software tools (simulation, optimization, programming, calculation)
- Virtual development and virtual commissioning
- Commissioning support
- Manufacturing of prototypes and small lot sizes



...from applied basic research to the product ...

research projects

applied projects

projects with high ratio of
applied basic research

support of product development to finished
products

**Cooperation with scientific
organisations**

More than 80 national
and international
patents

About 400 publications

Customers

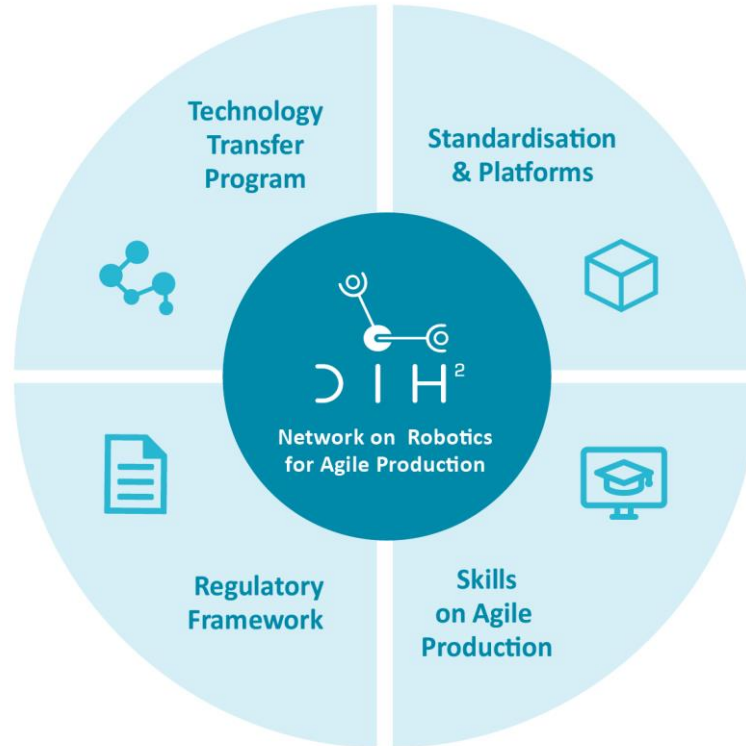
More than 250
customers

Good economical
situation



A Pan-European Network of Robotics DIHs for Agile Production

4 Pillars of DIH² Network

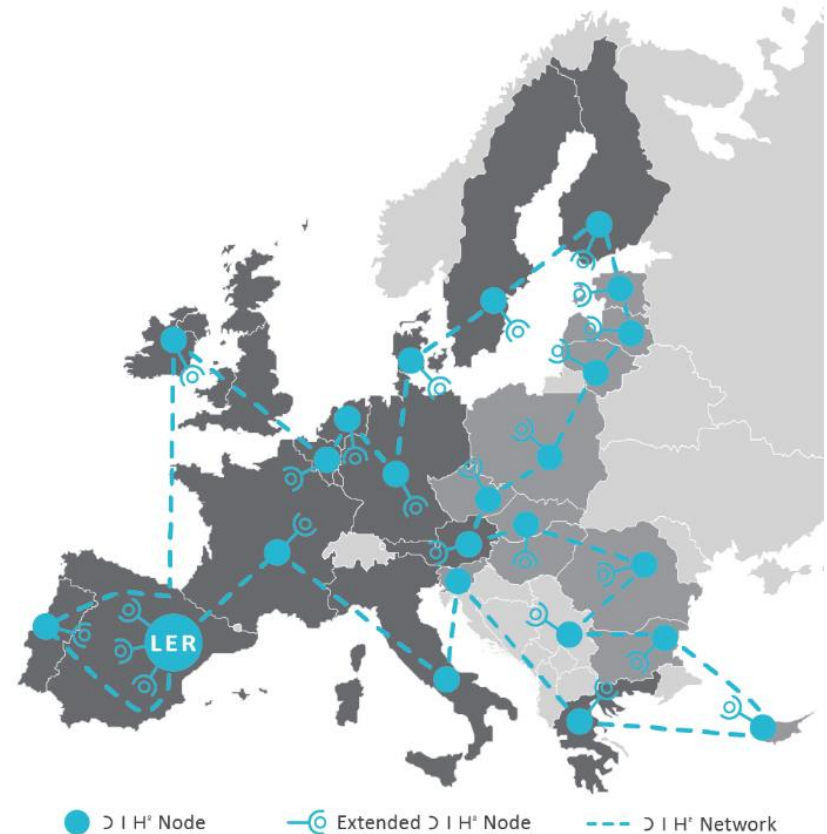


DIH² network

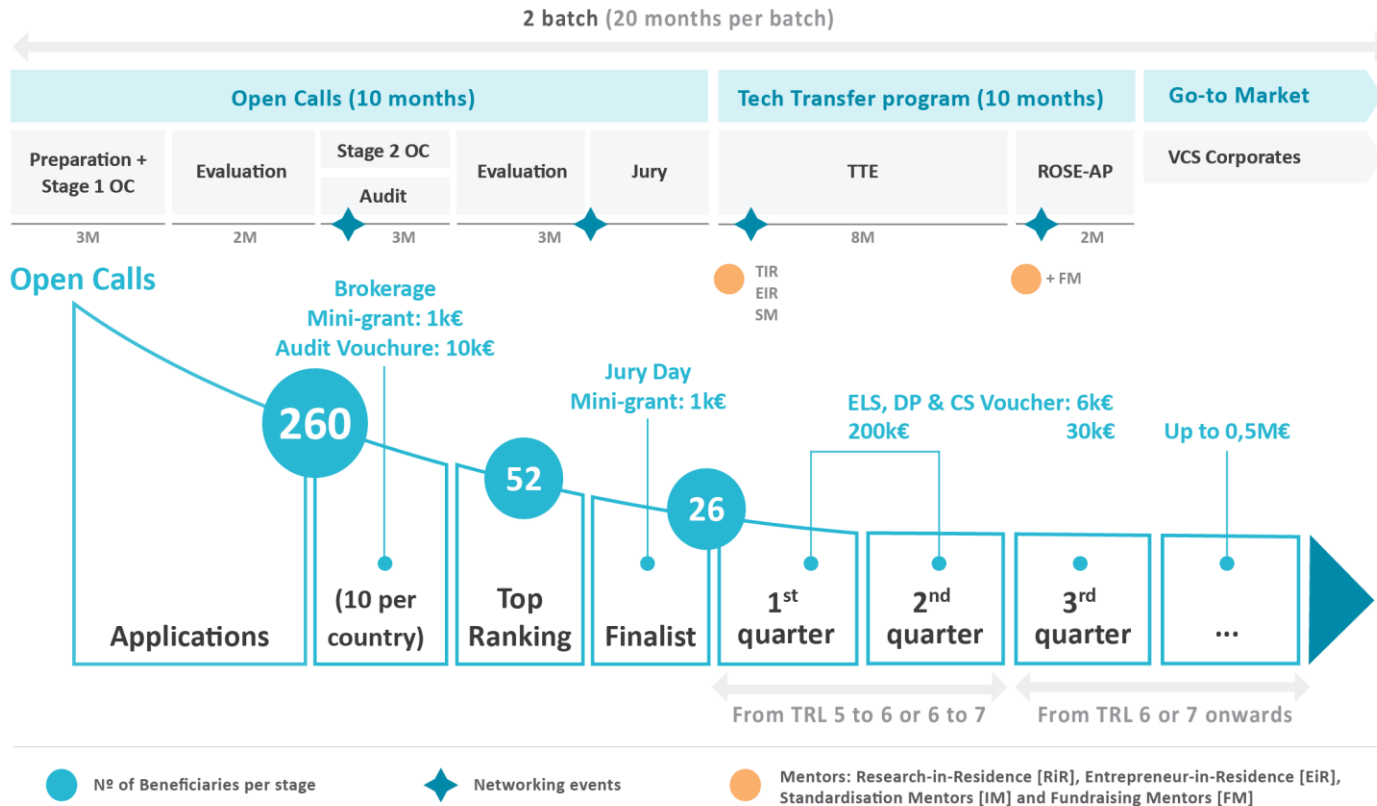
26 DIHs Nodes

10 Operational Partners

- *Marketplace development*
- *Open platform development*
- *Standardization*
- *FSTP management*
- *Business acceleration*
- *Digital training*
- *Dissemination and Branding*
- *Governance structure*
- *Cross IAs and CSA collaboration*



DIH² Technology Transfer Program



DIH² Open Calls for SMEs

1st July, 2019

1st March, 2021

DIH² Contact info

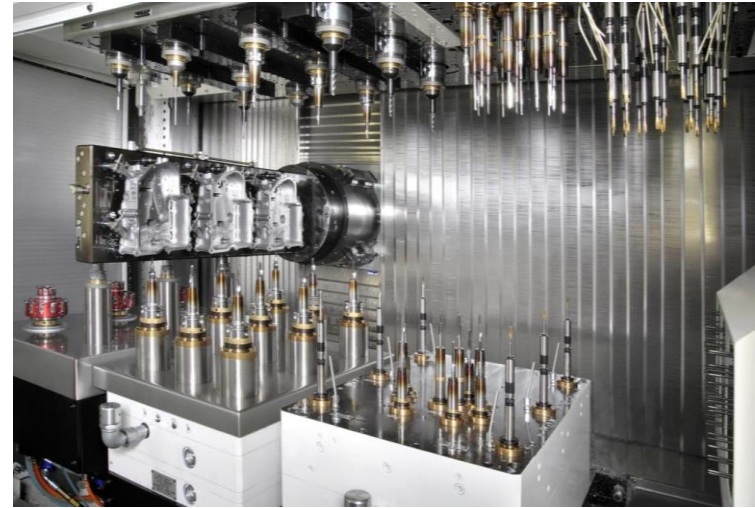
Ali Muhammad

ali.muhammad@vtt.fi

www.dih-squared.eu

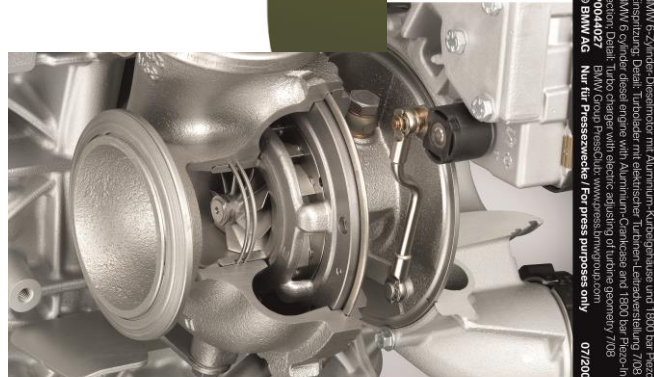
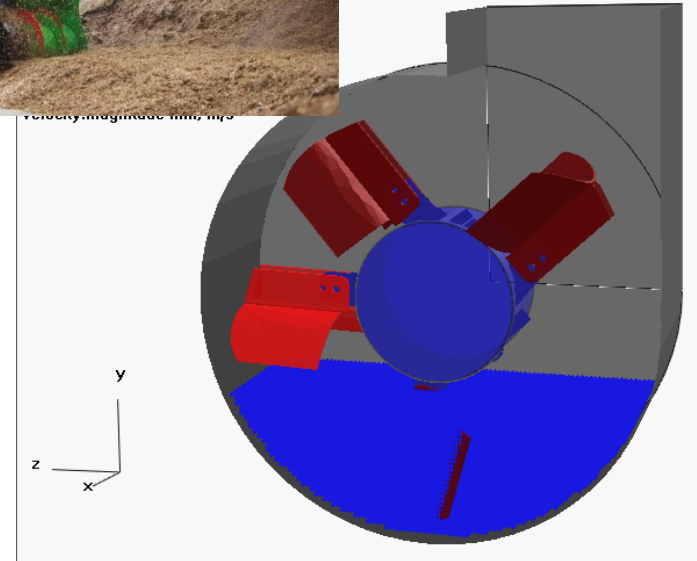
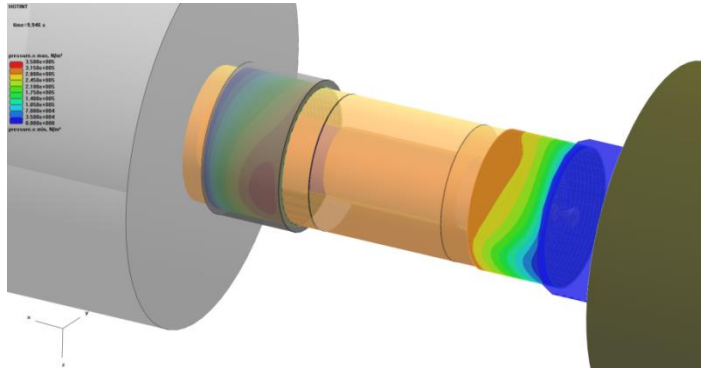
Lessons Learned / Experiences / Cooperations

- profit / non funded projects



Lessons Learned / Experiences / Cooperations

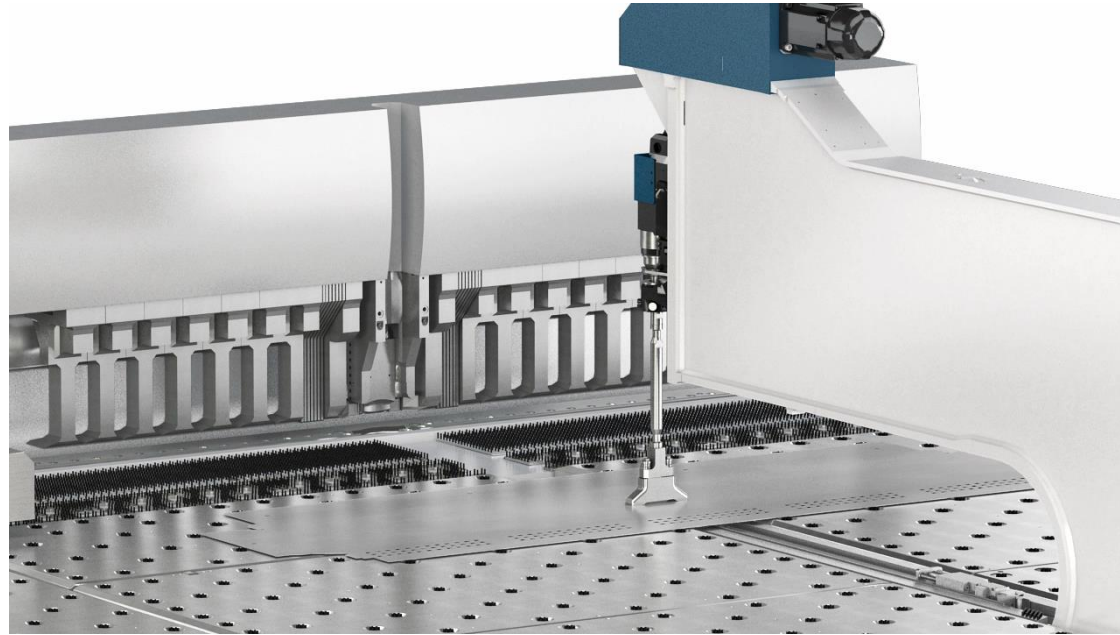
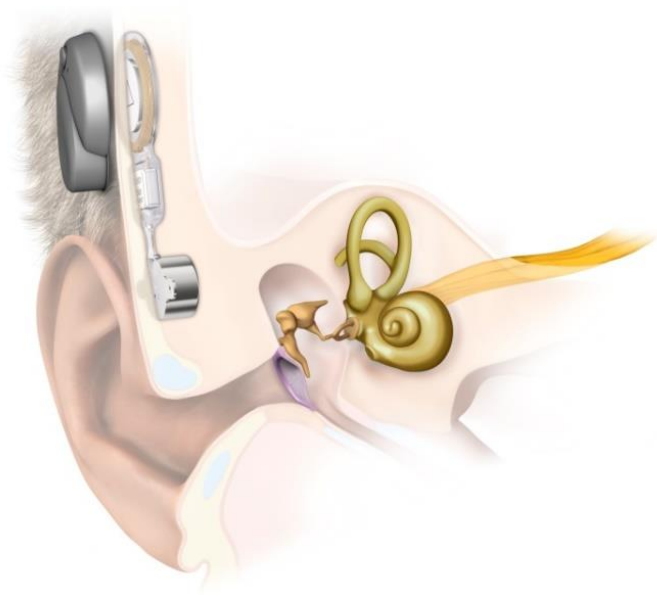
- (small) national funding



BMW 5-Zylinder Dieselmotor mit Aluminium-Kolbenpletteln und 180° Turbinen-Exhaust-Druck-Turbohuber-Elementen/Turbolader-Exhaustion 708
BMW 5-Zylinder Dieselmotor mit Aluminium-Kolben und 180° Turbinen-Exhaust-Druck-Turbohuber-Elementen/Turbolader-Exhaustion 708
P0044027 BMW Group Plektur www.press.bmwgroup.com
© BMW AG Nur für Pressewecke/For press purposes only 07/2008

Lessons Learned / Experiences / Cooperations

- (large) national funded research center

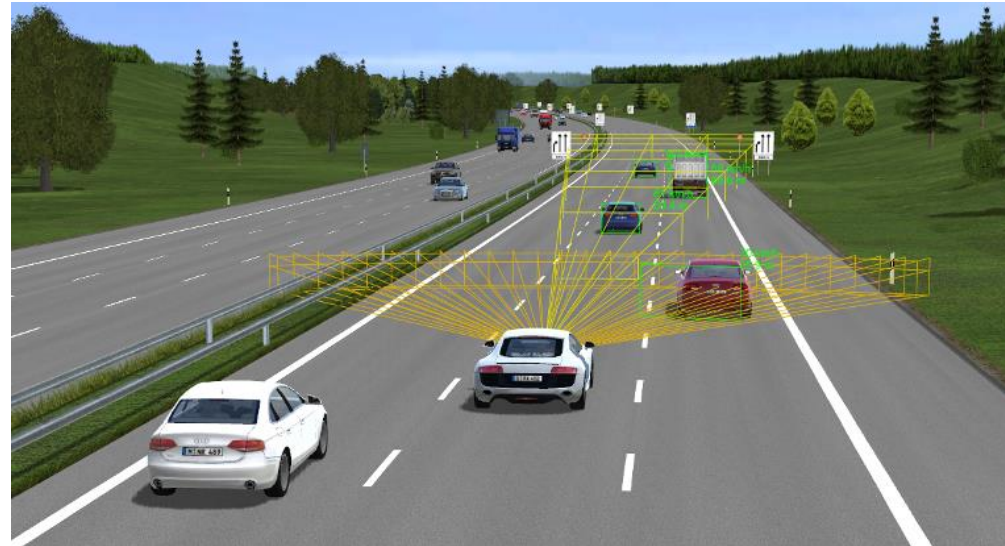


Lessons Learned / Experiences / Cooperations

- EU-funded projects



European Initiative to Enable Validation for Highly Automated Safe and Secure Systems



Possible Cooperations

- profit / non funded projects
- national funding
- national funded research center
- EU-funded projects

...from applied basic research to the product ...

research projects

applied projects

projects with high ratio of
applied basic research

support of product development to finished
products

Customization
Prototyping
Development
Research
Science



www.lcm.at